

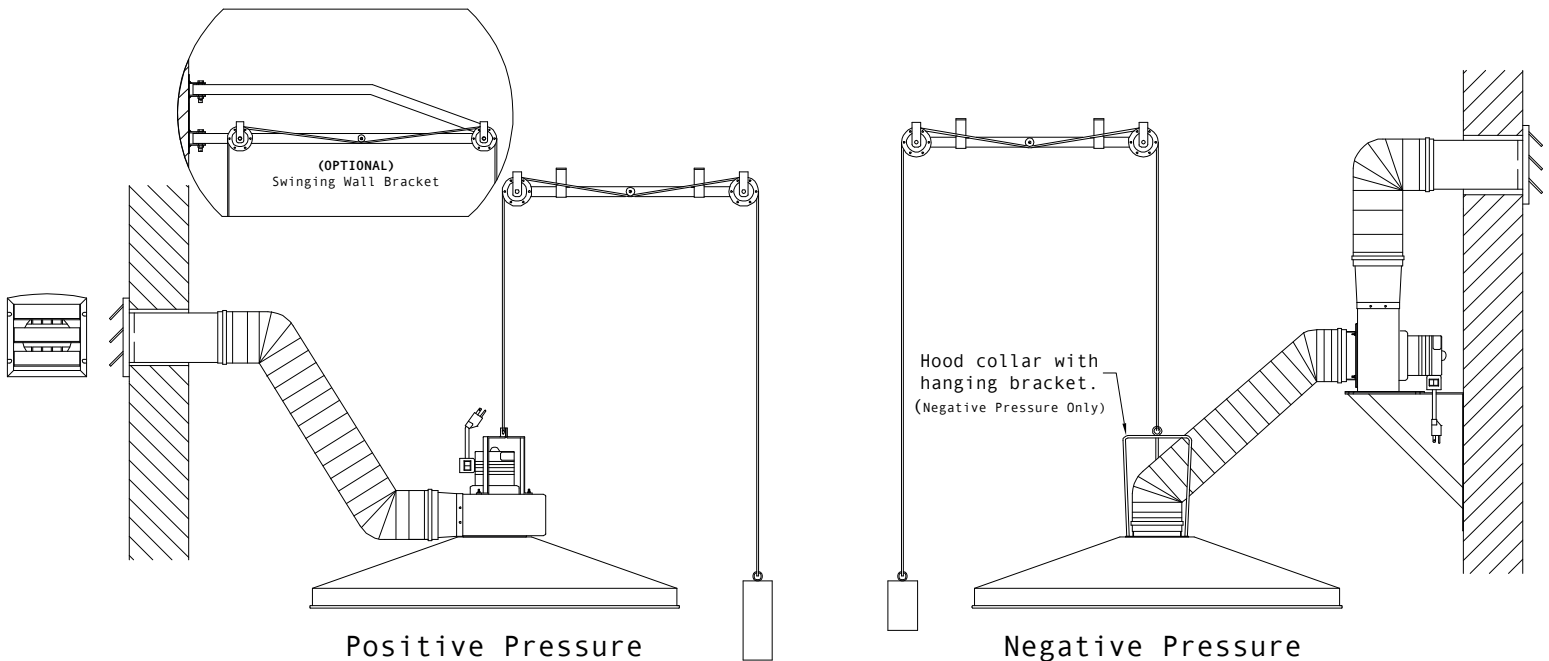
# Vent-A-Kiln™

## Vent-A-Fume™

*Adjustable Height Hood Ventilation System/Kiln Exhaust Systems*

# INSTALLATION & OPERATION MANUAL

(IOM)



**Important: Return this manual to the end user. This manual must be kept for their files.**

“Visit us On-Line”

Vent-A-Kiln corp. 51 Botsford Place Buffalo, NY 14216  
PH (716) 876-2023 FAX (716) 876-4383  
www.ventakiln.com info@ventakiln.com  
www.ventafume.com info@ventafume.com

**Important: Return this manual to the end user. This manual must be kept for their files.**

### **\*One Year Limited Warranty\***

Your VENT-A-KILN system is guaranteed to be free from defects in material and/or workmanship for a period of 12 months from purchase date. Warranty applies to original owner only and excludes tampering, misuse, abuse, or alteration to the unit of any kind. If any part is proved to be faulty within the warranty duration, it will be repaired or replaced, at the option of Vent-A-Kiln Corporation. If you wish to obtain warranty services call or email us first. The end user **must** receive a return authorization number (RA Number) before returning any product. Properly package the warranted item and return it to:

**Vent-A-Kiln Corp., 51 Botsford Place, Buffalo, NY 14216**

Extended warranties available: Contact Vent-A-Kiln within 90 days of purchase.

Return shipping charges are the responsibility of the end user.

No credit or reimbursement shall be made for any replacement part provided or repair service performed by the end user (customer).

(please fill out the following information for future reference)

Ventilation System Model Number: \_\_\_\_\_ . (Yellow Sticker)

Ventilation System Serial Number: \_\_\_\_\_ . (Yellow Sticker)

### **\*WAIVER OF LIABILITY\***

Your VENT-A-KILN system is intended for indoor use only. All users are responsible for being educated on the unit's proper use, to include the use of any kiln, art materials, or any other associated ventilation use with the product. Insure health and safety precautions are adhered to, as with any electrical appliance. The purchaser of a VENT-A-KILN product, on behalf of him or herself, and all agents, employees, assignees, administrators, or executors, hereby releases, discharges, and waives all claims of liability against VENT-A-KILN Corporation and/or its employees for any injuries, damages, or loss of any kind that might be sustained while using this equipment. This waiver applies to any third party sale or transference of the product. Placing an order for any VENT-A-KILN product indicates your acceptance of these terms.

**VENT-A-KILN styles may vary slightly from those pictured, but all have the same dependable function.**

# Complete Adjustable Overhead Ventilation System



## SAFETY PRECAUTIONS

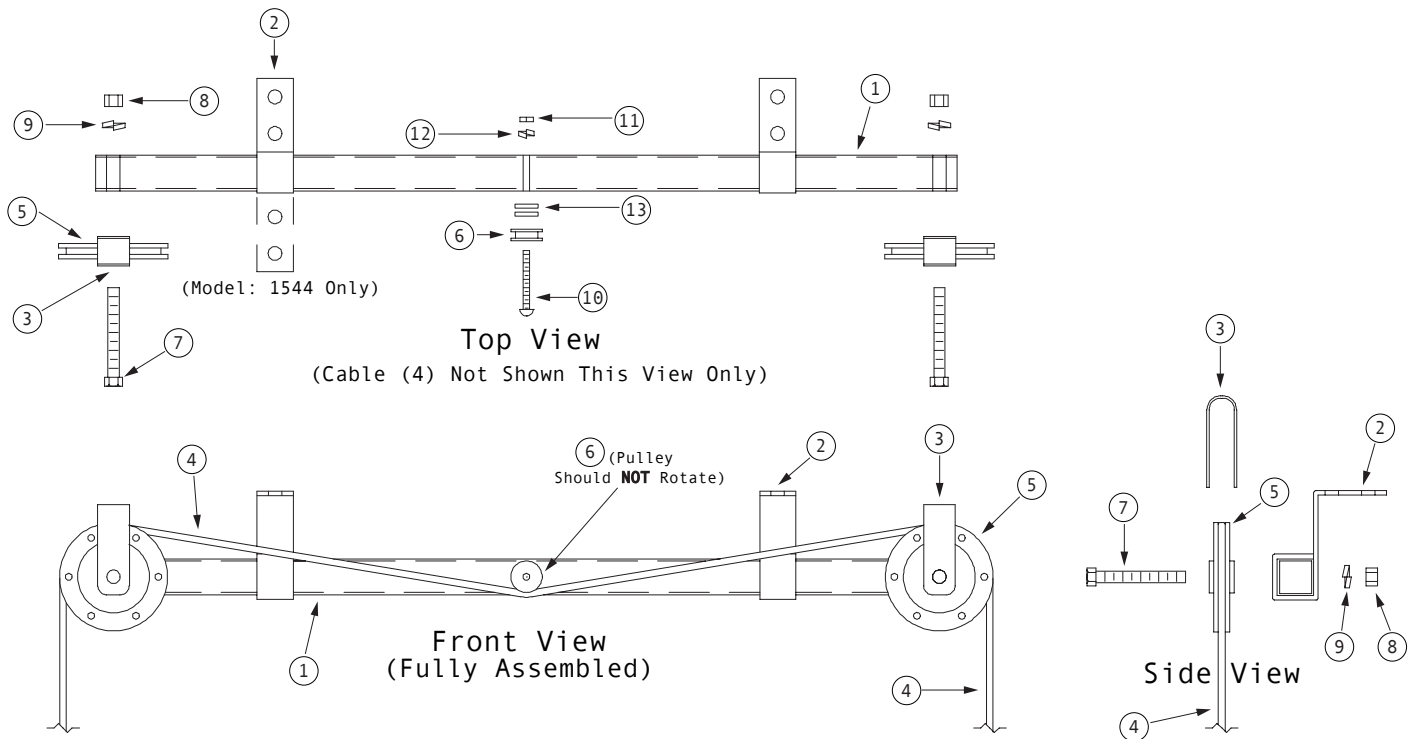
- Hood should have a minimal overhang of 2.0” on all sides of process to be vented properly.
- Bottom of hood must be no closer than 2.0” and should be no higher than 4.0” above process (top of kiln).
- Hood should be centered over process.
- Utilize shortest length permissible when installing flexible exhaust hose.
- Flex hose should not have excessive sag when in operation.
- Discharge runs greater than 10 feet consult factory.
- Electrical receptacles must be properly grounded.
- Do not allow the power cord to come in contact with the collection hood and/or any heated appliance (kiln) at any time.
- Follow any and all warning labels.
- Keep unauthorized personnel away from area being ventilated. (Safety screens available, see page 7.)
- Follow recommended maintenance schedule provided in this manual (reference warranty also).

**Important: Return this manual to the end user. This manual must be kept for their files.**

# Assembly and Installation of 24" Overhead Support Bar (1)

For use with ALL Vent-A-Kil model numbers:

## 1227, 1332, 1437, 1544



## Assembly Instructions

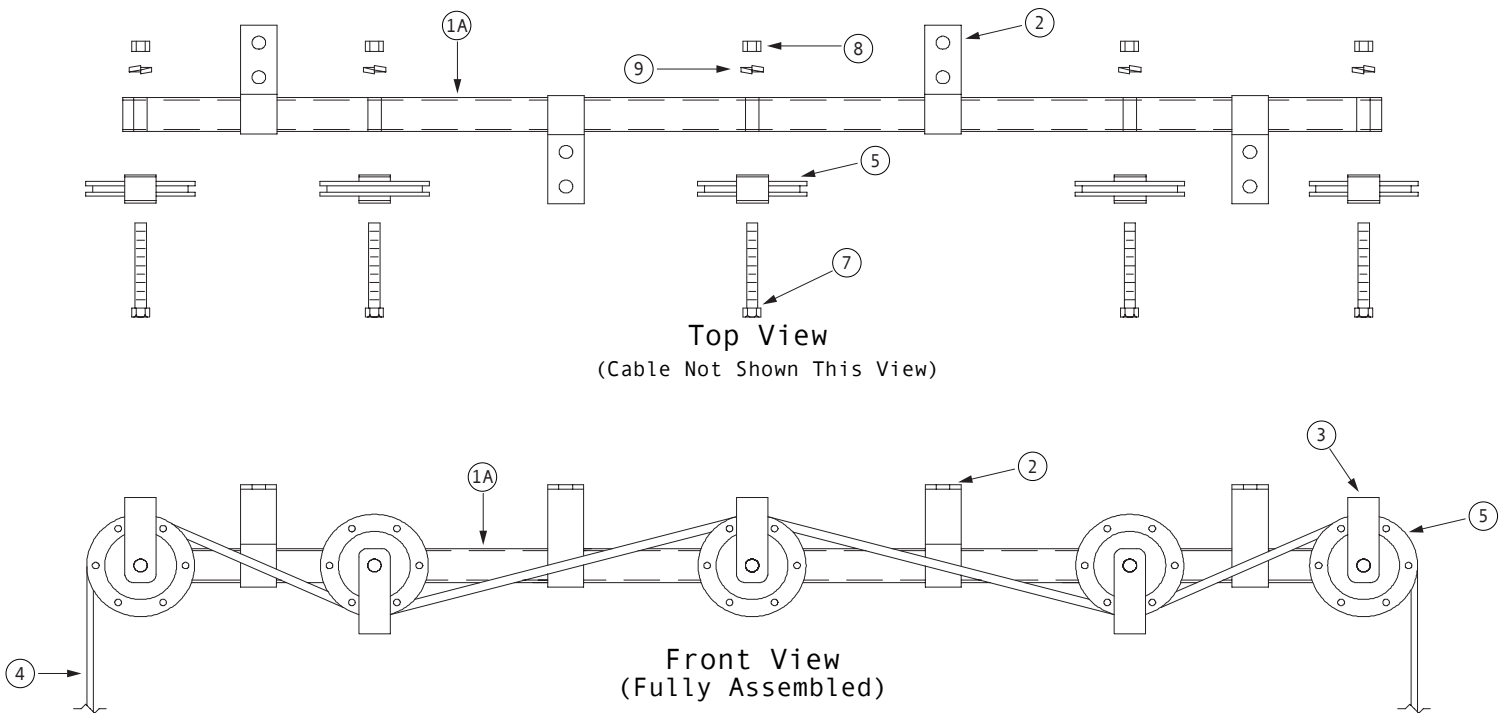
Start by placing the Sliding Support Brackets (2) over the one inch Overhead Support Bar (1) and into position as shown. Next fasten the Resistance Pulley (6) to the one inch Overhead Support Bar (1) utilizing the 1<sup>3/4</sup>" Bolt (10), two Alignment Bushings (13), Lock Washer (12), and Nut (11). NOTE: Resistance Pulley should be tightened sufficiently to ensure the pulley does NOT rotate.

Next fasten both "U" Straps (3) and Pulleys (5) to the one inch Overhead Support Bar (1) by sliding the "U" Strap (3) over the Pulley (5) while aligning the holes in the one inch Overhead Support Bar (1) as shown. Insert the 2<sup>1/2</sup>" x 3/8" bolts through the holes and tightly fasten each with the 3/8" Split Lock Washer (9) and the 3/8" Nuts (8). NOTE: 3/8" Nuts (8) should be securely tightened while allowing each pulley to freely rotate.

Now your overhead bar assembly is ready for installation to your ceiling. Ensure the overhead bar is positioned in a fashion that will allow proper alignment of the large aluminum collection hood directly centered over the kiln. Utilize the 3/8" diameter holes in the Sliding Support Brackets (2) to securely fasten the overhead bar assembly to the ceiling. NOTE: Due to the wide variety of possible ceiling mounting materials, fasteners for this step are NOT provided.

Next install the 3/16" diameter Plastic Coated Cable (4) over Pulley (5), under Resistance Pulley (6), and then back over the other Pulley (5) making sure the cable is resting in the grooves on all three pulleys. After proper installation the "U" Straps (3) will ensure the cable rides in the pulley groove at all times.

# Assembly and Installation of 36" Overhead Support Bar (1A) For use with Vent-A-Kiln model number 1654 ONLY



## Assembly Instructions

Start by placing the four Sliding Support Brackets (2) over the 36" Overhead Support Bar (1A) and into position as shown.

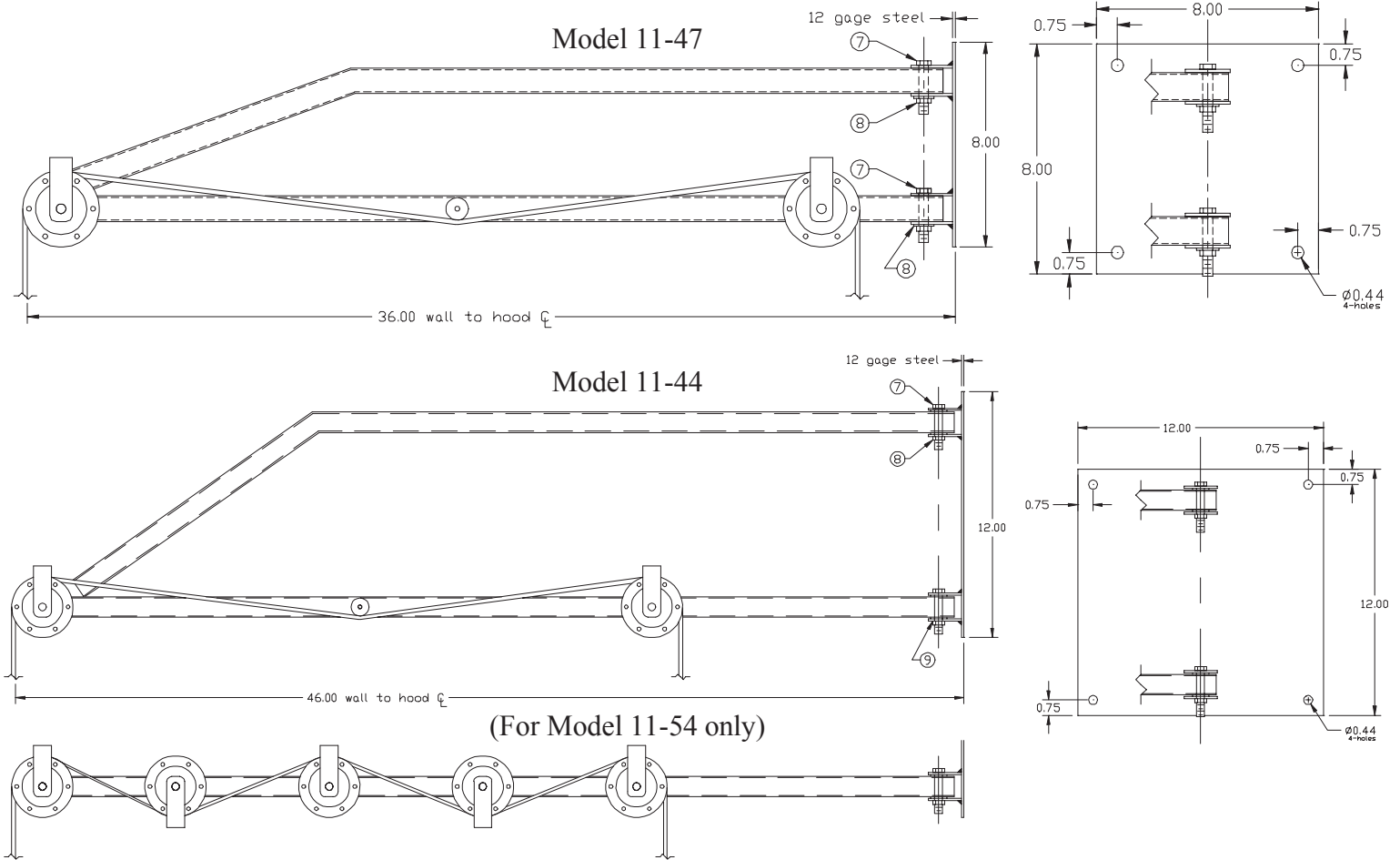
Next fasten each "U" Strap (3) and Pulley (5) to the 36" Overhead Support Bar (1A) by sliding the "U" Strap (3) over the Pulley (5) while aligning the holes in the 36" Overhead Support Bar (1A) as shown. Insert the 2<sup>1</sup>/<sub>2</sub>" x 3/8" bolts through each of the five holes and tighten utilizing the 3/8" Split Lock Washer (9) and the 3/8" Nuts (8). NOTE: 3/8" Nuts (8) should be securely tightened while allowing each pulley to freely rotate.

Now your overhead bar assembly is ready for installation to your ceiling. Ensure the overhead bar assembly is positioned in a fashion that will allow proper alignment of the large aluminum collection hood directly centered over the kiln. Utilize the 3/8" diameter holes in the four Sliding Support Brackets (2) to securely fasten the overhead support bar assembly to the ceiling. NOTE: Due to the wide variety of possible ceiling mounting materials, fasteners for this step are NOT provided.

Next install the 3/16" diameter Plastic Coated Cable (4) over the first Pulley (5), under the next Pulley (5), and so forth as shown. Ensure cable is resting in all grooves on all five pulleys. The five "U" Straps (3)

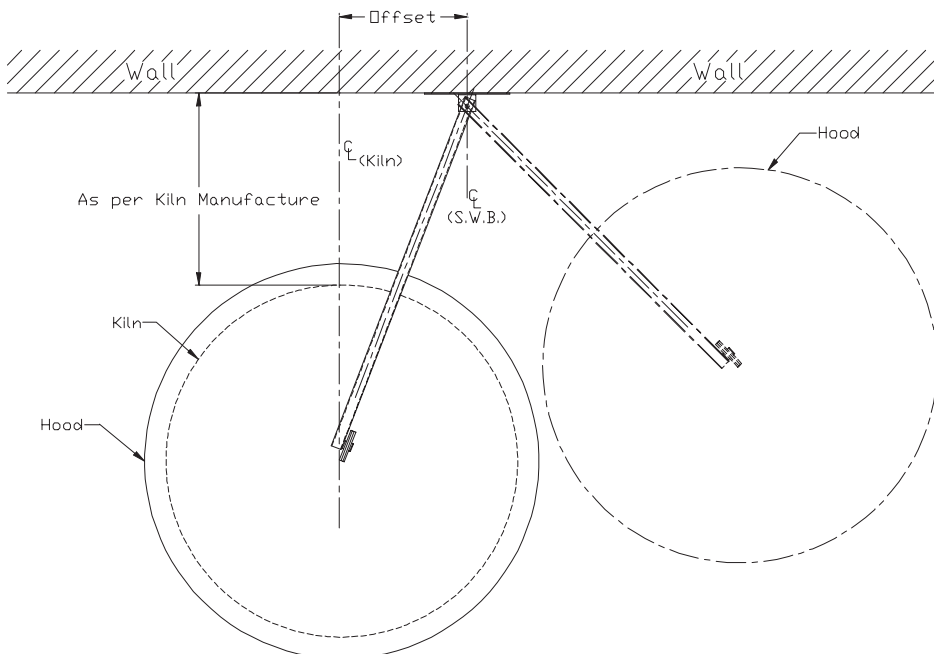
# Assembly and Installation of Models: 11-47, 11-44 & 11-54

## Optional Swinging Wall Bracket (S.W.B.)



**Assembly (S.W.B.):** First reference **Assembly and Installation of 24" Overhead Support Bar (page 4)** for pulley assembly on models 11-47 and 11-44. Reference **Assembly and Installation of 36" Overhead Support Bar (page 5)** for pulley assembly on model 11-54. After pulley assembly, utilize all four 0.44" diameter holes in each corner of 12 gauge steel support plate to anchor to wall. Tighten top and bottom hinge hardware of unit (7 & 8) to desired tension for ease of movement or tighten completely for stationary position.

**(Installation requires hardware which is not included in order to anchor 12 gauge steel support plate to wall)**



**Anchoring to Side Wall:** When anchoring model: 11-47, 11-44 & 11-54 to wall you may need to offset the kiln centerline from the S.W.B. centerline as shown. Offset accordingly to allow clearance of hood when opening the kiln's lid. 32.0" and 27.0" diameter hoods do not need to be offset for use with a single kiln. However, you will need to offset the bracket when ventilation of two kilns is desired.



# Maintenance Schedule

The Following are Recommended Once a Month (Unless Noted)

- 1) Inspect flexible duct for any damage (tears).
- 2) Inspect flexible duct at all collar locations for leaks from loose clamps.
- 3) Inspect cable utilized for counter weight pulley system (integrity of cable and its coating).
- 4) Inspect cable clamps and tighten as needed.
- 5) Inspect blower for unusual vibration and tighten blower squirrel cage set screw as needed.
- 6) Inspect blower and hood connection (positive pressure blower mount) and tighten hardware as needed.
- 7) Inspect blower and blower support bracket (negative pressure blower mount) and tighten hardware as needed.
- 8) Inspect overhead bar (or optional swinging wall bracket) pulley system for any loose hardware and tighten accordingly. (resistance pulley does not rotate).
- 9) Clean system free of any dust build up on or inside hood, flexible duct and blower (disconnect power).

\* Vent-A-Fume/Vent-A-Kiln Corporation is not responsible for improper installation, maintenance or unattended equipment \*

## Consult Factory for Replacement Parts



*REPLACEMENT BLOWER KITS:  
INCLUDES BLOWER, HOSE, AND 2 CLAMPS*



*HOOD COLLARS WITH HANGING BRACKET  
FOR USE WITH EXISTING BLOWERS*



*FUME EXTRACTORS FOR SOLDERING,  
ENCAUSTIC MEDIUM PAINTING,  
OR OTHER APPLICATIONS*

**FOR VENT-A-KILN'S COMPLETE PRODUCT LINE, VISIT US AT [WWW.VENTAKILN.COM](http://WWW.VENTAKILN.COM)**