

**Model: 1122, 1227, 1332 & 1437 Specifications**

The Vent-A-Kiln model 1122, 1227, 1332 & 1437 ventilation systems shall include a conical metal spun aluminum hood tapering to a 5 1/2" diameter exit. A slinger speed motor with fan (blower) mounted on top the hood, shall draw and propel exhaust fumes and heat via a flexible hose to a exterior surface mounted gravity operated louver. The placement of the hood and blower subassembly shall be user adjustable via an overhead pulley and counterweight system.

- 1) Conical collection hood:
  - Metal spun from 0063 gage aluminum, alloy 1100-0.
- 2) Non-explosion proof blower
  - 3/4 hp, 1/60/115 motor.
  - 250 CFM @ 0.0" W.G., 1.7 amps, 1550 rpm.
  - Maximum continuous motor Temperature 250 deg. F.
  - Sound data; approximate db at 5 feet: high 62db, low 59db.
- 3) Flexible exhaust hose:
  - Triple ply laminate, aluminized polyester face and an aluminum foil backing.
  - Corrosion, moisture, temperature (250 deg. F.), and flame resistant.
  - 50" diameter, 10' (ft.) length.
  - Flexible hose fastened by plastic hose clamps (qty=2).
  - UL listed number 723.
  - Cut to shortest length permissible.
- 4) Exterior surface mounted louver:
  - 50" diameter discharge.
  - Bird screen.
  - Three (3) gravity operated shutters.
- 5) 3/8" diameter plastic coated steel cable:
  - 10' (ft.) length.
  - Two (2) 3/8" galvanized steel cable clamps for fastening cable to counterweight and blower.
- 6) Counterweight:
  - 30" diameter cold rolled steel, painted VAF/VAK black.
- 7) Overhead pulley system:
  - 10"x1.0"x24.0" length structural tubing.
  - two (2) ball bearing pulleys and one (1) resistance pulley.
  - two (2) slide brackets for hanging of system.
  - two (2) pulley safety straps.

Model	Hood Diameter A (in)	C.W. (lbs)	D.A.W. (lbs)
1122	22.0	11.0	35.0
1227	27.0	11.0	36.0
1332	32.0	14.0	42.0
1437	37.0	16.0	46.0

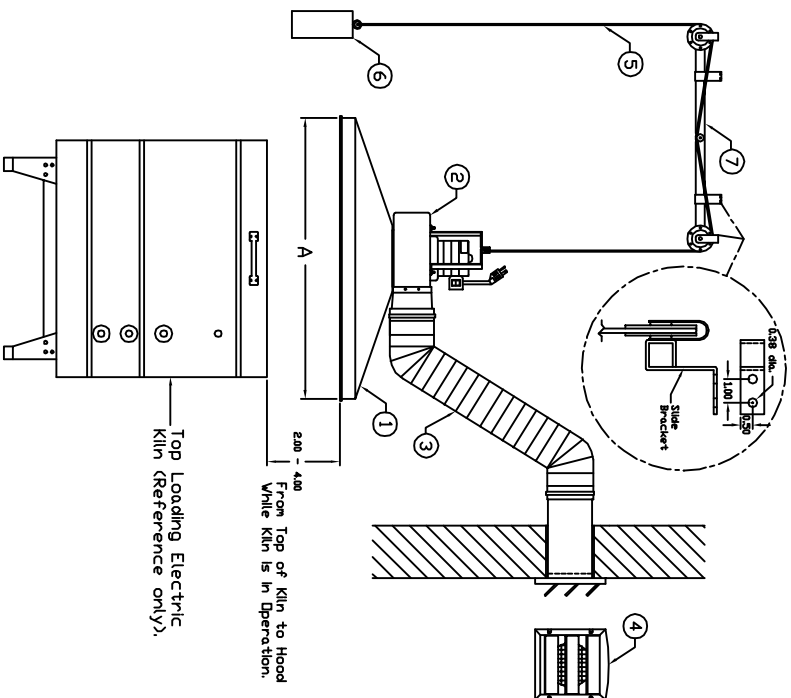
C.W. - Counter Weight  
D.A.W. - Dverall Weight

- 1)  $1\frac{1}{2}$ " diameter pulley
- 2) 10" x 1.0" x 24.0" length structural tubing
- 3) 2 ball bearing pulleys and one (1) resistance pulley
- 4) 2 slide brackets for hanging of system
- 5) 2 pulley safety straps

LETTER	ALTERATION	DATE	BY
A	Replaces DWG B-1046, B-1047, B-1048 & B-1045	1/19/07	B-Brandon
B	Blower motor had two speed switch and motor	6/11/09	B-Brandon

UNLESS SHOWN OTHERWISE TOLERANCES SHOULD BE:  
 1) .XXX  
 2) .XX  
 3) FRACTIONAL DIMENSIONS ± 1/32"  
 4) ANGLES ± 0° 30'

ALL INFORMATION CONTAINED HEREIN IS PROPRIETARY AND MUST NOT BE REPRODUCED OR MADE PUBLIC WITHOUT WRITTEN CONSENT FROM Vent-A-Kiln/Vent-A-Kiln Corp.



Vent-A-Kiln Fume  
 51 Botstford Place  
 Buffalo, N.Y. 14216  
 Positive Pressure

PROJECT XXX  
 DATE 1/19/07  
 SCALE NTS

DRAWN BY Brandon  
 CHECKED BY  
 BILL OF MATL

DWG. NO. B-1209  
 NEXT ASSY

REVISION B