

Model 1122-SWB, 1227-SWB, 1332-SWB & 1437-SWB Specifications

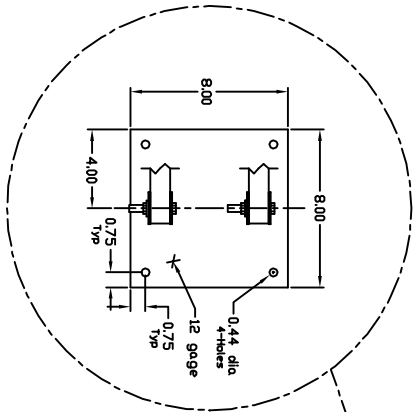
The Vent-A-Klin model 1122-SWB, 1227-SWB, 1332-SWB & 1437-SWB ventilation systems shall include a conical metal spun aluminum hood tapering to a 5 $\frac{1}{2}$ " diameter exit. A single speed motor with fan (blower) mounted on top the hood, shall draw and propel exhaust fumes and heat via a flexible hose to a exterior surface mounted gravity operated louver. The placement of the hood and blower subassembly shall be user adjustable via a swinging wall bracket with a continuous friction hinge system. The subassembly shall also include a pulley and counterweight system.

- 1) Conical collection hood:
 - Metal spun from 0.063 gage aluminum, alloy 1100-0.
- 2) Non-explosion proof blower
 - $\frac{3}{4}$ hp, 1/60/115 motor,
 - 250 cfm @ 0.0" w.g., 1.7 amps, 1550 rpm,
 - Maximum continuous motor Temperature 250 deg. f.,
 - Sound data: approximate db at 5 feet: high 62db, low 59db.

- 3) Flexible exhaust hose:
 - Triple ply laminate, aluminized polyester face and an aluminum foil backing,
 - Corrosion, moisture, temperature (250 deg. f.), and flame resistant.
 - 5.0" diameter, 10' (ft.) length,
 - Flexible hose fastened by plastic hose clamps (qty=2).
 - UL listed number 723,
 - Cut to shortest length permissible.
- 4) Exterior surface mounted louver:
 - 5.0" diameter discharge.
 - Blind screen.
 - Three (3) gravity operated shutters.

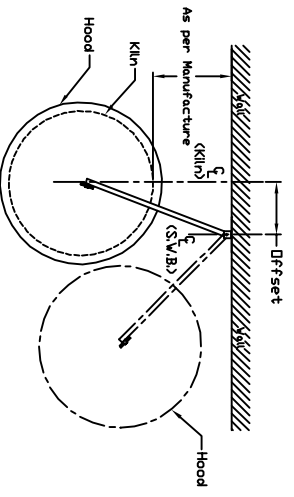
- 5) $\frac{3}{8}$ " diameter plastic coated steel cable:
 - 10' (ft.) length,
 - Two (2) $\frac{3}{8}$ " galvanized steel cable clamps for fastening cable to counterweight and blower.
- 6) Counterweight:
 - 3.0" diameter cold rolled steel, painted VAF/VAK black.

- 7) Swing wall bracket with pulley system:
 - Continuous friction hinge design,
 - 1.0"x1.0"x3.50" length structural tubing,
 - two (2) ball bearing pulleys and one (1) resistance pulley,
 - Two (2) slide brackets for hanging of system,
 - two (2) pulley safety straps.
- Wall to center of hood when SWB is perpendicular to wall is 36.0".

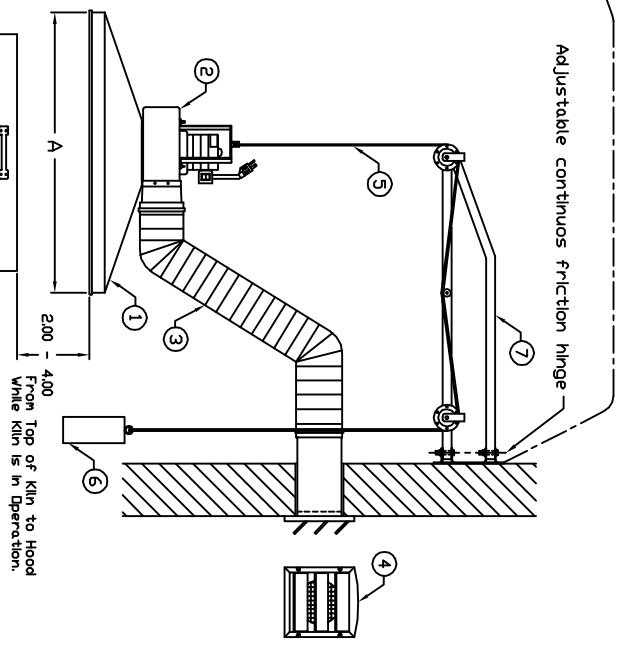


Model	Hood Diameter A (in)	C.W. (lbs)	D.A.W. (lbs)
1122-SWB	22.0	11.0	43.0
1227-SWB	27.0	11.0	44.0
1332-SWB	32.0	14.0	50.0
1437-SWB	37.0	16.0	54.0

C.W. - Counter Weight
D.A.W. - Overall Weight



(See DEM manual) for installation)



LETTER	ALTERATION	DATE	BY
A	Replaces Dwg. B-1054, B-1055, B-1056 & B-1057	4/4/07	B.Brandon
B	Blower motor had two speeds	6/11/09	B.Brandon

ALL INFORMATION CONTAINED HEREIN IS PROPRIETARY AND MUST NOT BE REPRODUCED OR MADE PUBLIC WITHOUT WRITTEN CONSENT FROM Vent-A-Klin Corp.	
UNLESS SHOWN OTHERWISE TOLERANCES SHOULD BE:	
1) X.XX	± .005
2) XX	± .01
3) FRACTIONAL DIMENSIONS	± 1/32"
4) ANGLES	± 0° 30'
TITLE: Model: 1122, 1227, 1332 & 1437; Swing Wall Bracket	
PROJECT: XXX	
DATE: 4/4/07	
SCALE: NTS	
DRAWN BY: B. Brandon	
CHECKED BY:	
BILL OF MATERIALS:	
DWG. NO.: B-1215	
REL: B	

All Dimensions Inches

Top Loading Electric, Klin (Reference only).