

Model: 1122, 1227, 1332 & 1437-SWB (NP) Negative Pressure Specifications

The Vent-A-Kiln model 1122-NP-SWB, 1227-NP-SWB, 1332-NP-SWB & 1437-NP-SWB negative pressure ventilation systems shall include a conical metal spun aluminum hood tapering to a 5 1/2" diameter exit. A single speed motor with fan (blower) mounted to wall by means of a support bracket; shall draw and propel exhaust fumes and heat via a flexible hose to a exterior surface mounted gravity operated louver. The placement of the hood and blower subassembly shall be user adjustable via a swinging wall bracket with a continuous friction hinge design. The subassembly shall also include a pulley and counterweight system.

- 1) Conical collection hood:  
 - Metal spun from 0.063 gage aluminum, alloy 1100-0.

- 2) Non-explosion proof blower:  
 - 1/2 hp, 1/60/115 motor,  
 - 250 cfm @ 0.0" w.g., 1.7 amps, 1550 rpm,  
 - Maximum continuous motor Temperature 250 deg. f.,  
 - Sound data) approximate db at 5 feet) high 52db, low 59db.

- 3) Flexible exhaust hose:  
 - Triple ply laminate, aluminumized polyester face and an aluminum foil backing.  
 - Corrosion, moisture, temperature (250 deg. f.), and flame resistant.  
 - 5/0" diameter, 10' (ft.) length.  
 - Flexible hose fastened by plastic hose clamps (qty=2).  
 - UL listed number 723.  
 - Cut to short-test length permissible.

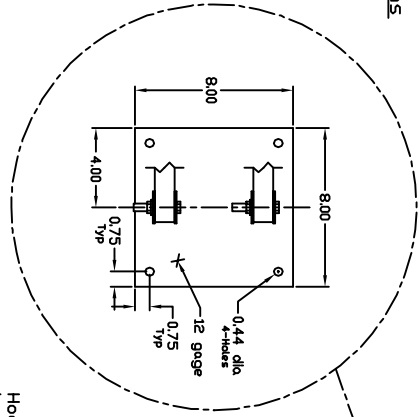
- 4) Exterior surface mounted louver:  
 - 3/0" diameter mounted.  
 - Bird screen.  
 - Three (3) gravity operated shutters.

- 5) 3/8" diameter plastic coated steel cable:  
 - 10' (ft.) length.  
 - Two (2) 3/8" galvanized steel cable clamps for fastening cable to counterweight and blower.

- 6) Counterweight:  
 - 3/0" diameter cold rolled steel, painted VAF/VAK black.

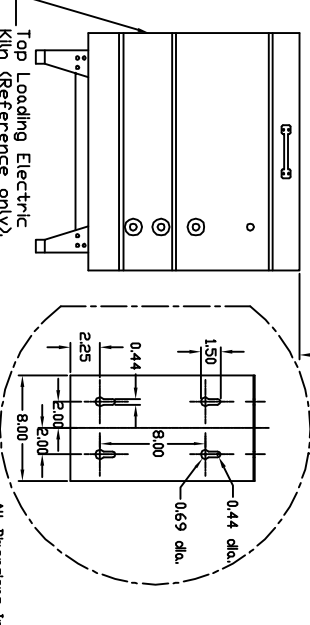
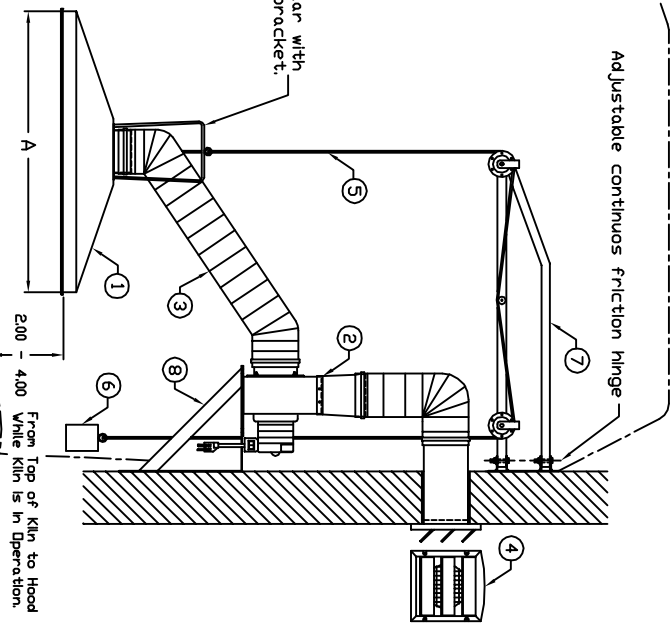
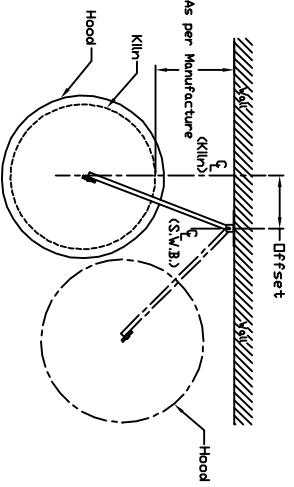
- 7) Swing wall bracket with pulley system:  
 - Continuous friction hinge design.  
 - 10"x10"x35/0" length structural tubing.  
 - two (2) ball bearing pulleys and one (1) resistance pulley.  
 - two (2) slide brackets for hanging of system.  
 - two (2) pulley safety straps.  
 - Wall to center of hood when SWB is perpendicular to wall is 36/0".

- 8) Blower wall support bracket:  
 - 12 gage steel.  
 - Painted VAF/VAK black



Model	Hood Diameter A (in)	C.W. (lbs)	D.A.W. (lbs)
1122-NP-SWB	22.0	5.0	48.0
1227-NP-SWB	27.0	6.0	50.0
1332-NP-SWB	32.0	7.0	54.0
1437-NP-SWB	37.0	11.0	58.0

C.W. - Counter Weight  
 D.A.W. - Overall Weight



LETTER	ALTERATION	DATE	BY
A	Replaces DWG. B-1083 & B-1082	4/11/07	B.Brandon
B	Motor had two speeds	6/12/09	B.Brandon

UNLESS SHOWN OTHERWISE TOLERANCES SHOULD BE:

1) XX ± .005  
 2) XX ± .01  
 3) FRACTIONAL DIMENSIONS ± 1/32"  
 4) ANGLES ± 0.5°

ALL INFORMATION CONTAINED HEREIN IS PROPRIETARY AND MUST NOT BE REPRODUCED OR MADE PUBLIC WITHOUT WRITTEN CONSENT FROM Vent-A-Kiln/Vent-A-Kiln Corp.

**Vent-A-Kiln Corp.**  
 51 Botstord Place  
 Buffalo, N.Y. 14216

PROJECT XXX  
 DATE 4/11/07  
 SCALE NTS  
 DRAWN BY B.Brandon  
 CHECKED BY  
 BILL OF MATL.  
 Dwg. No. B-1220

REV. B